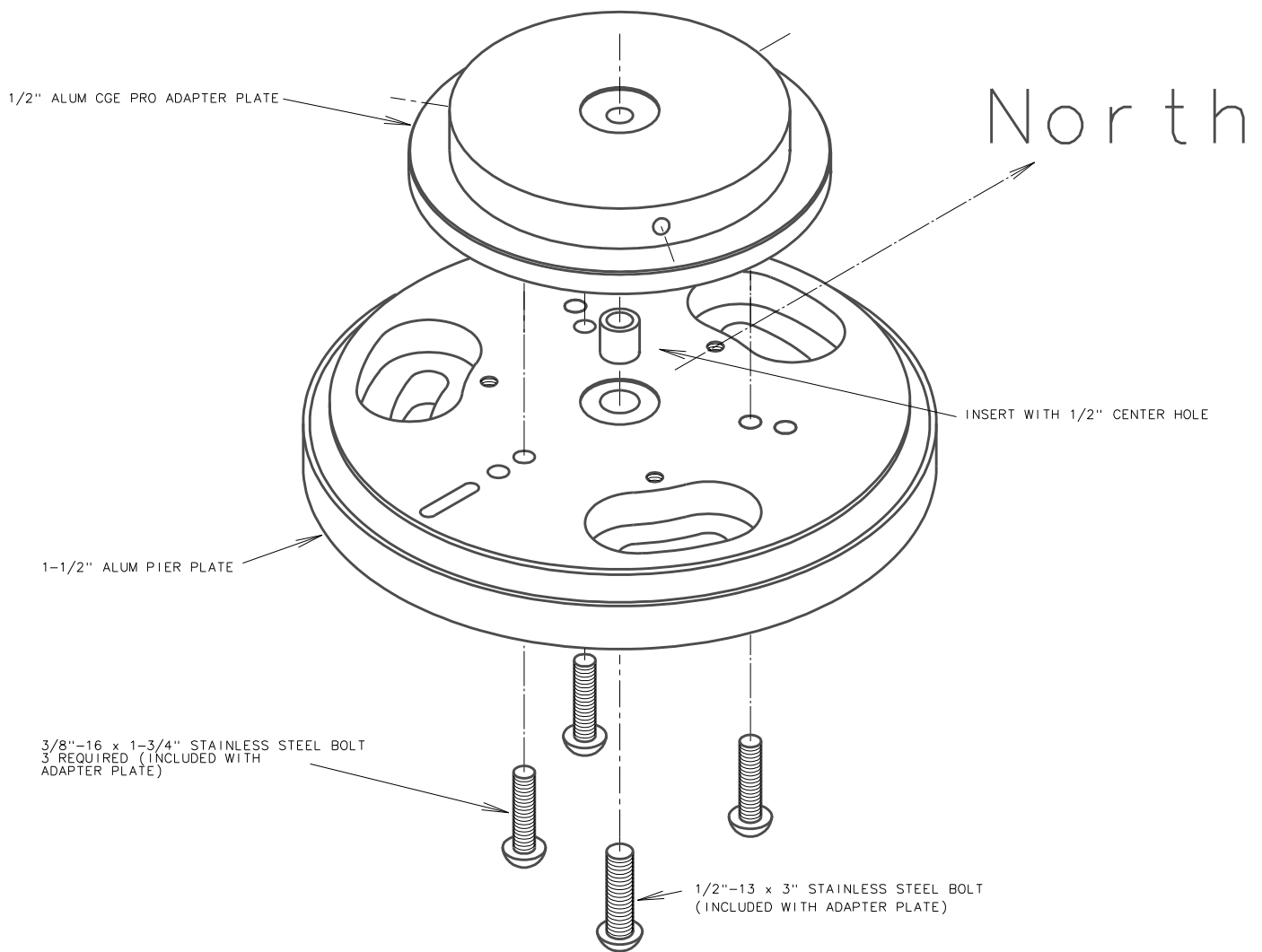
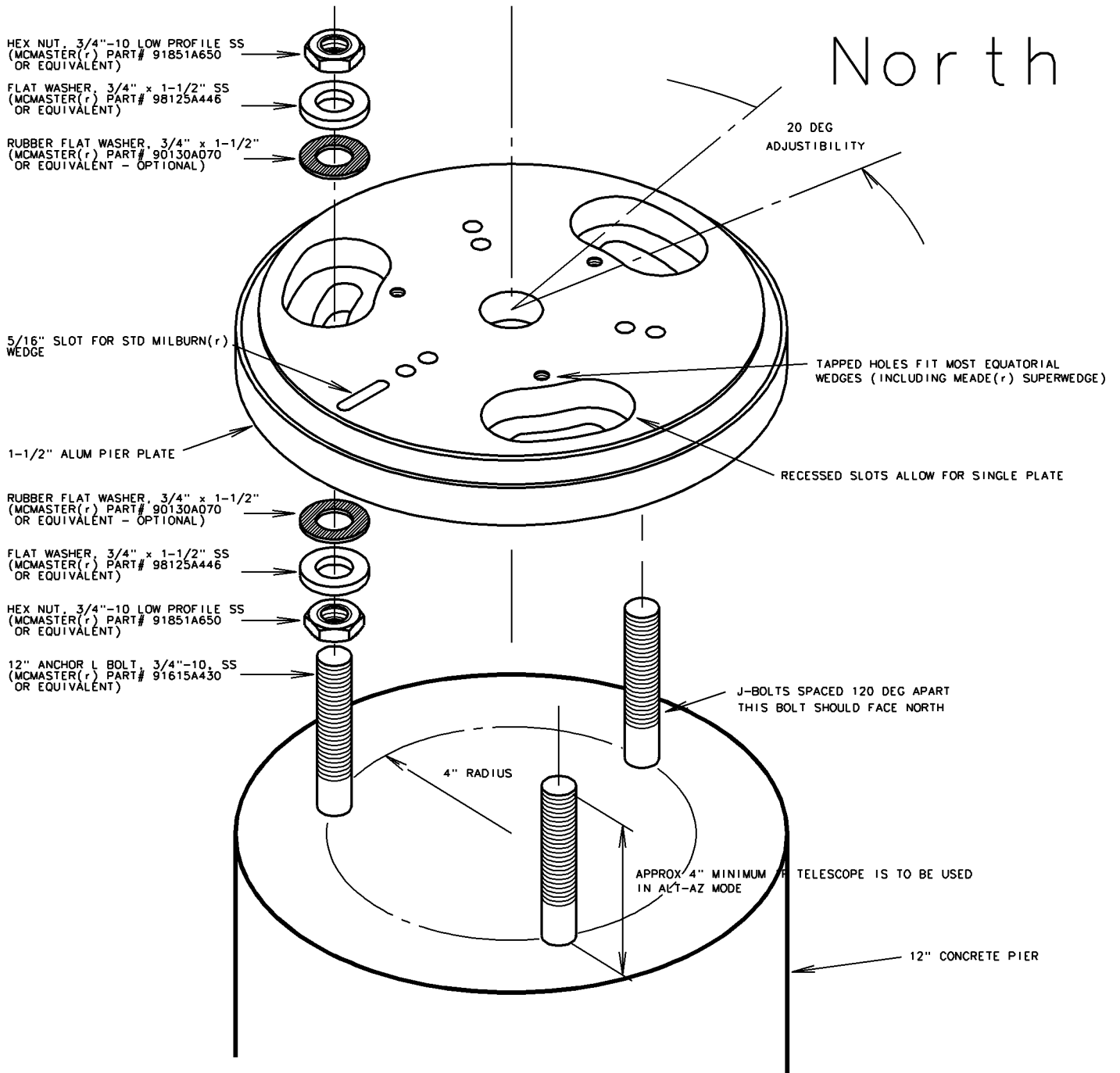


# PIER TOP PLATE INSTALLATION DIAGRAM FOR THE CELESTRON(R) CGE PRO MOUNT



# INSTALLATION DIAGRAM STANDARD PIER TOP PLATE



# ADDENDUM

MANY CUSTOMERS HAVE ASKED US TO ENLARGE THE SIZE OF THE MOUNTING SLOTS OF OUR 12" PIER TOP PLATES TO MAKE UP FOR IMPERFECT BOLT ALIGNMENT. ALL 12" PLATES NOW HAVE WIDER MOUNTING SLOTS AND ALSO INCLUDE AN OPTIONAL BRONZE SLEEVE BEARING THAT SLIDES OVER THE ANCHOR BOLT TO PROTECT THE PLATE FROM THE ANCHOR BOLT THREADS. IF MORE LEEWAY IS NEEDED TO MOUNT THE PLATE, THE BRONZE SLEEVE BEARING MAY BE OMITTED.

BRONZE SLEEVE BEARING  
(INCLUDED IN NEW 12" PIER  
TOP PLATES)

